

**INSTRUCTIONS FOR INSTALLING A POWER SHAFT ASSEMBLY KIT
IN A NATIONAL VENDORS® CROWN SEVENTY TWO®, SERIES OR GOLDEN FURNITURE LINE,
ECM-72 ELECTRIC CANDY MERCHANDISER OR EPM-72 ELECTRIC PASTRY MERCHANDISER**

Although the Power Shaft Assembly Kits for the ECM-72 and EPM-72 Merchandisers have different part numbers and the Shafts contain a different number of Pinion Gears the installation procedure is the same for both Kits. The Kits cannot be interchangably installed in the Merchandisers.

The ECM-72 Electric Candy Merchandiser, Power Shaft Kit, part number 130-6553, consists of the following parts:

Part Number	Description	Quantity
130-6552	Power Shaft Assembly	1
130-6551	Small Shaft Bearing (black)	1
130-6554	Installation Instructions	1

* * *

The EPM-72 Electric Pastry Merchandiser, Power Shaft Kit, part number 139-6505, consists of the following parts:

Part Number	Description	Quantity
139-6504	Power Shaft Assembly	1
130-6551	Small Shaft Bearing (black)	1
130-6554	Installation Instructions	1

* * *

Before starting the work of installing the parts of the Kit, carefully and thoroughly read these instructions.

TO INSTALL THE PARTS OF THE KIT:

- I. To Remove The Gear Train Assembly From The Delivery Mechanism.
 - A. Disconnect the Merchandiser Service Cord Plug from the wall receptacle.
 - B. Open the Cabinet Door.
 - C. Rotate the Delivery Mechanism out of the Cabinet.
 - D. Disconnect the Gear Train Harness Plug from its receptacle.
 - E. Rotate the Detent Retractor clockwise 90°, until it locks in the horizontal position. See Figure I-1.

CAUTION

Grasp the Detent Retractor firmly and carefully. The Retractor is held in position by strong spring tension.

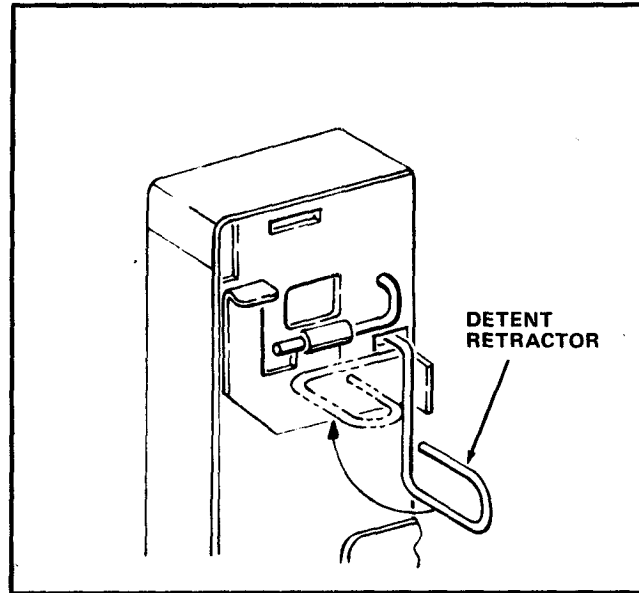


FIGURE I-1

- F. Remove the 4 Pan Head Screws which attach the Gear Train Assembly to the Delivery Mechanism. There are two Screws on each Delivery Mechanism Sidewall.
 - G. Hold both ends of the Gear Train Assembly and carefully raise the Assembly to locate the formed edge of the Assembly Channel over the Guide Rail above.
 - H. Slide the Gear Train Assembly out of the right side of the Delivery Mechanism.
 - I. Place the Gear Train Assembly on a flat surface.
- II. To Remove The Power Shaft Assembly From The Gear Train Assembly.
 - A. If the Power Shaft Assembly has a Roll Pin in the Shaft end which is opposite the Candy Motor, remove the Roll Pin, the Washer, and the Flange Bearing. None of these parts will be used with the replacement Power Shaft Assembly. See Figure II-1. If the Shaft does not have the Roll Pin indicated skip to step B-2.
 - B. Remove the Screw and Nut/Lockwasher which attaches the Wire Clamp on the Harness Assembly to the Switch Cover.

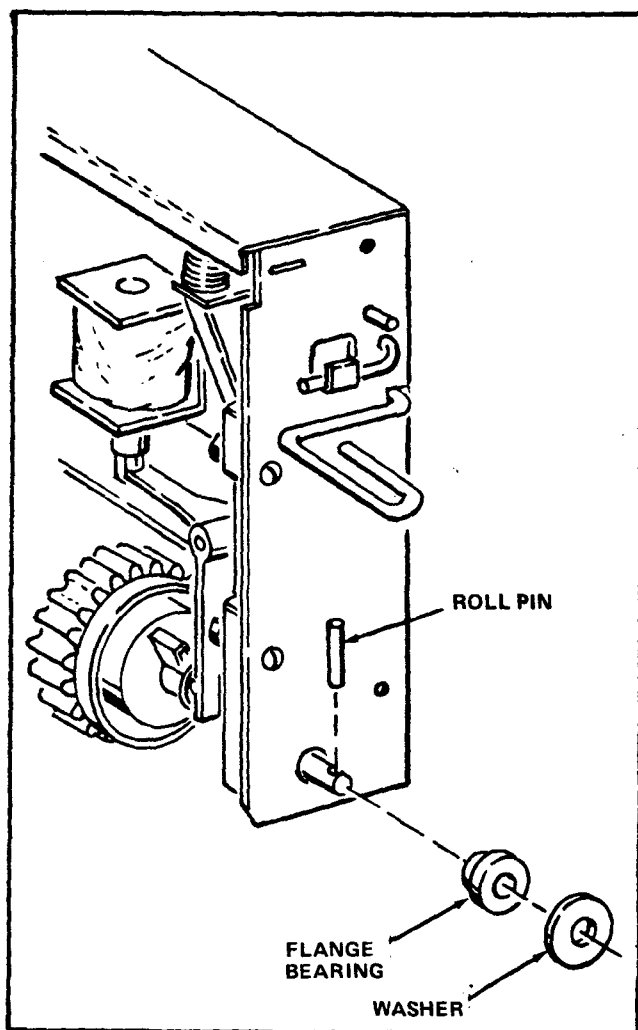


FIGURE II - 1

- C. Remove the 3 Screws which attach the Switch Cover to the Candy Motor Assembly. See Figure II-2.
- D. Remove the Switch Cover from the Motor Assembly.
- E. Remove the Blue Wire (no. 33) and the Black Wire (no. 35) from the Candy Vend Motor terminals.
- F. Remove the 4 Screws and Nut/Lockwashers which attach the Candy Motor Assembly to the Channel and Stud Assembly.
- G. Remove the Motor Assembly.
- H. Remove the Bearing Lock Plate attaching Screw that is closest to the Power Shaft Assembly.
- I. Rotate the Lock Plate away from the Power Shaft Assembly.

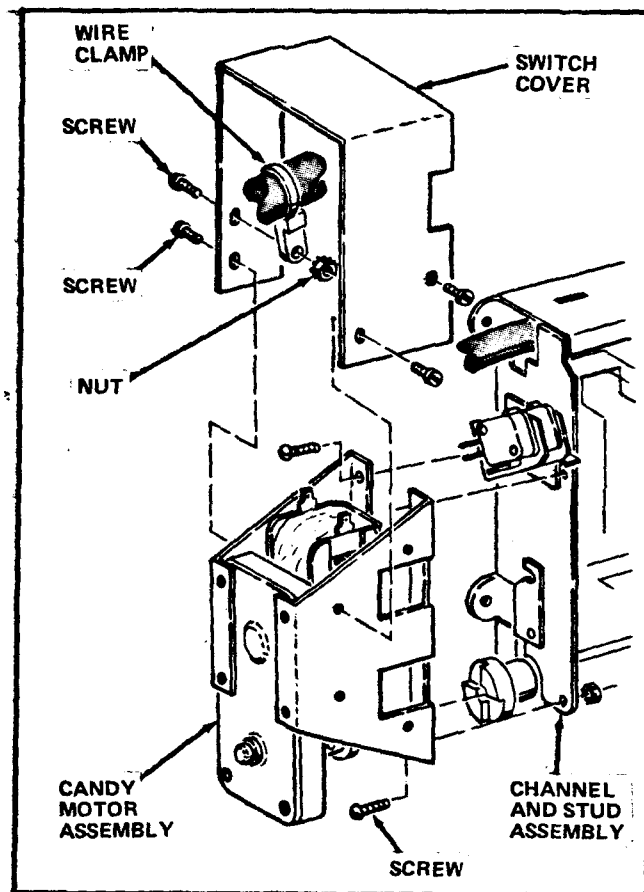


FIGURE II - 2

- J. Remove the Power Shaft Assembly from the Gear Train Assembly.
 - K. Remove the Power Shaft Ratchet from the end of the Power Shaft Assembly. The Ratchet will be used on the replacement Power Shaft Assembly.
- III. To Install The Replacement Power Shaft Assembly In The Gear Train Assembly.
- A. Place the Power Shaft Ratchet, removed in step II-K, on the end of the replacement Power Shaft Assembly (part number 130-6552 and 139-6504). The slot in the hub of the Ratchet must be toward and around the Roll Pin in the Shaft Assembly. See Figure III-1.
 - B. Place the replacement black Small Shaft Bearing, part number 130-6551, on the Power Shaft Assembly. The Flange on the Bearing must be next to the Ratchet installed in step III-A.
 - C. Install the replacement Power Shaft Assembly into the Gear Train Assembly.
 - 1. Insert the Bearing end of the Power Shaft Assembly into the hole in the Stud and Channel Assembly.

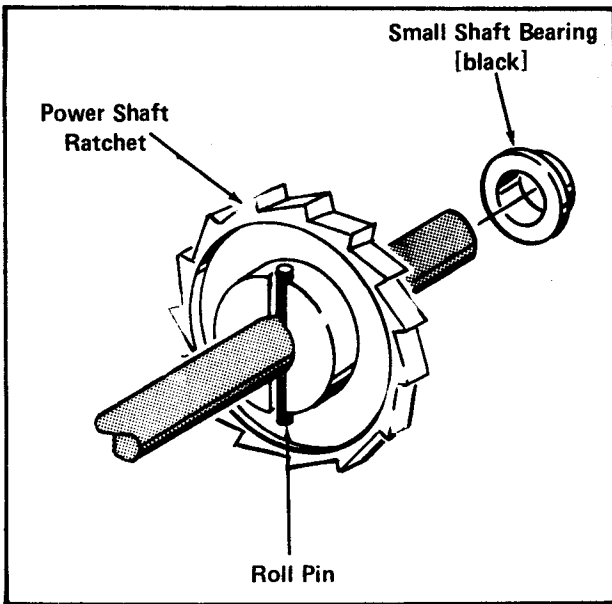


FIGURE III - 1

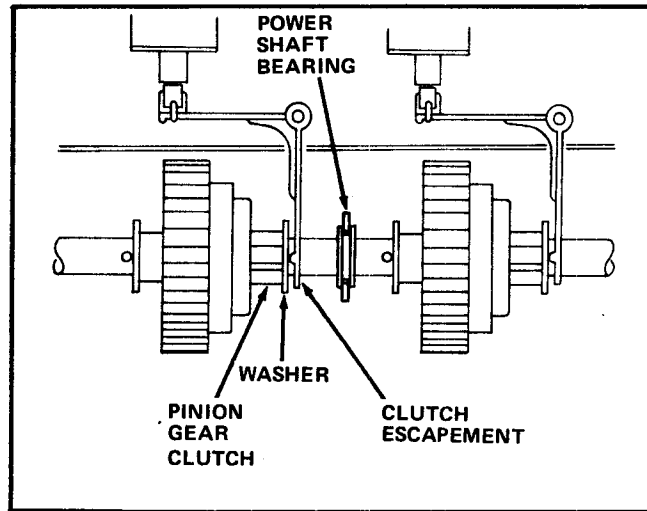


FIGURE III - 2

2. Move the Power Shaft Assembly into place. See Figure III-2.
 - a. Be sure there is a Washer between each Pinion Gear Clutch and Clutch Escapement.
 - b. Be sure the Power Shaft Support Bearing is in place in the slot in the Bracket on the Stud and Channel Assembly.
 - c. Be sure the groove in the metal Power Shaft Bearing at the Power Shaft Coupling end of the Shaft is in the end wall of the Stud and Channel Assembly.
 - d. Be sure the flat on the Flange of the metal Power Shaft Bearing is positioned so that the Bearing Lock Plate will engage the flat when step III-D is performed.
- D. Move the Bearing Lock Plate into the Shaft retaining position.
- E. Replace the Screw removed in step II-H.
- F. Install the Candy Motor Assembly removed in step II-G.
- G. Attach the Motor Assembly with the 4 Screws and Nut/Lockwashers removed in step II-F.
- H. Attach the Blue Wire (no. 33) and the Black Wire (no. 35) to the Candy Vend Motor terminals.

- I. Install the Switch Cover removed in step II-D.
 - J. Attach the Cover with the 3 Screws removed in step II-C.
 - K. Attach the Harness Assembly Wire Clamp with the Screw and Nut/Lockwashers removed in step II-B.
- IV. To Install The Gear Train Assembly In The Delivery Mechanism.
- A. Reverse procedures I-A through I-H.

CAUTION

If when the Cabinet Door is closed in preparation for step IV-B, the Candy Motor runs:

1. Check the Detent Retractor, be sure it was rotated counter-clockwise 90° after the Gear Train Assembly was installed.
2. Check the Tray Chains for misalignment. Move the Tray Chains up and down slightly until misaligned Chain is properly aligned. If Tray Chain misalignment is the problem, the Motor will stop when the Chain is properly aligned.

- B. Thoroughly test vend the Merchandiser for both the Tray Chain unload and loaded conditions.